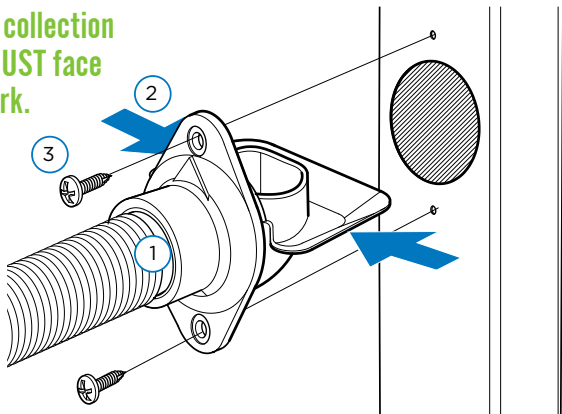


# DIVERTER INSTALLATION

for 2x3" and  
3x4" downspouts

1. Connect filler hose to the Diverter before installing it into the downspout. Press the hose into the Diverter until the corrugated section is flush with the Diverter end.
2. Insert Diverter into downspout hole by squeezing the sides, making sure the collection funnel faces up. Push in until the Diverter's flange sits flat against the downspout. Check that the arrow on the outside of the Diverter is pointing straight up.
3. Use two of the self-tapping screws to attach the Diverter to the downspout.

**Diverter collection  
funnel MUST face  
up to work.**

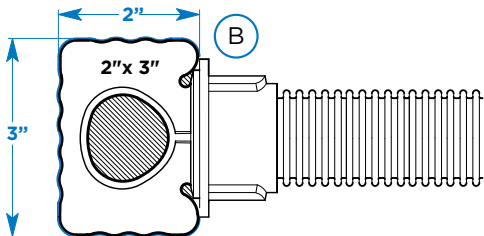
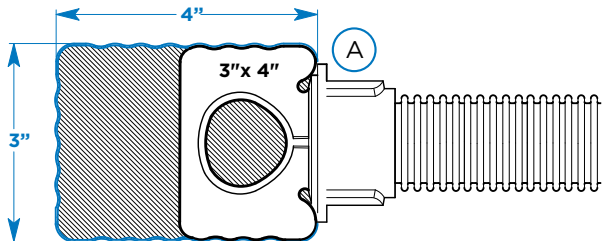


See back side for reference illustrations.

# DIVERTER INSTALLATION

For a 3"x4" downspout refer to fig. A

For a 2"x3" downspout refer to fig. B



See other side for installation instructions.